

# FORGED BRASS FLANGES 4-BOLT HOLE SOLDER TYPE WITH TONGUE

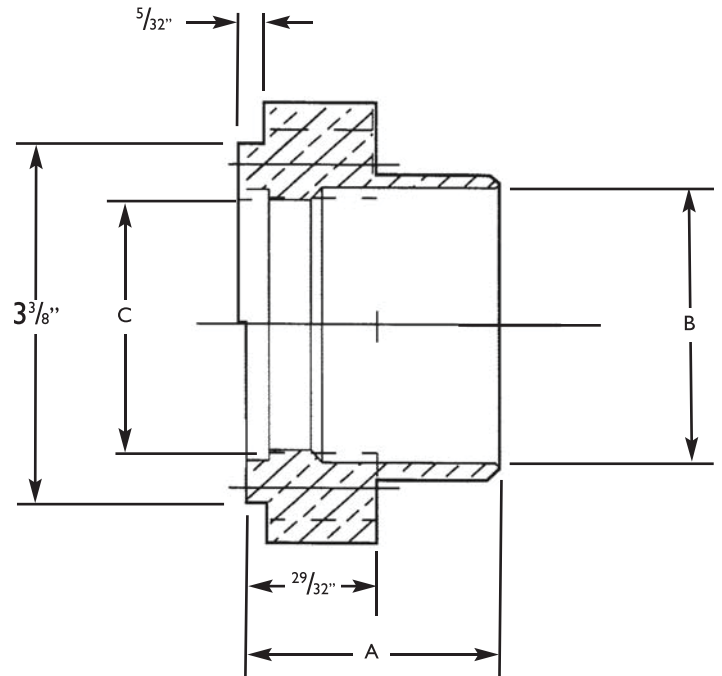
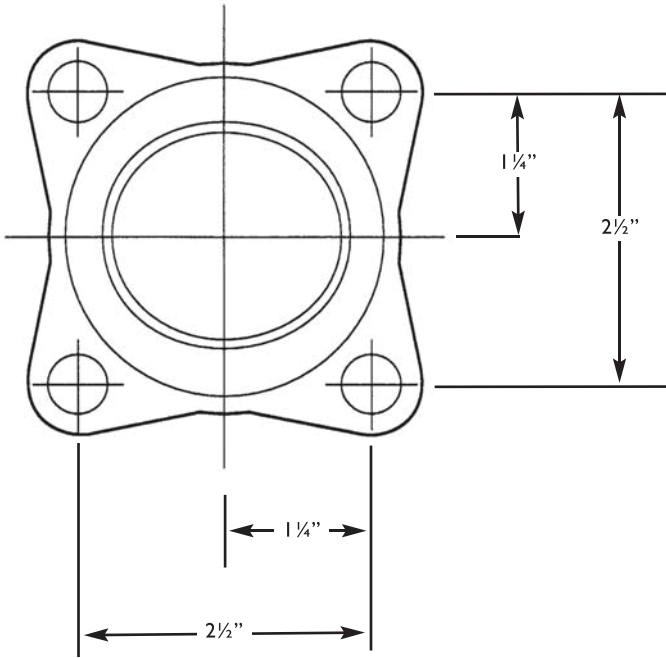
4-Bolt Hole Forged Flanges - with Tongue

Tongue Diameters  $2\frac{3}{4}$ " x  $2\frac{7}{64}$ "

Pressure rating: 450 PSIG

Service Temperature: -320°F to +150°F

Material: Forged Brass CA 377, ASTM B283

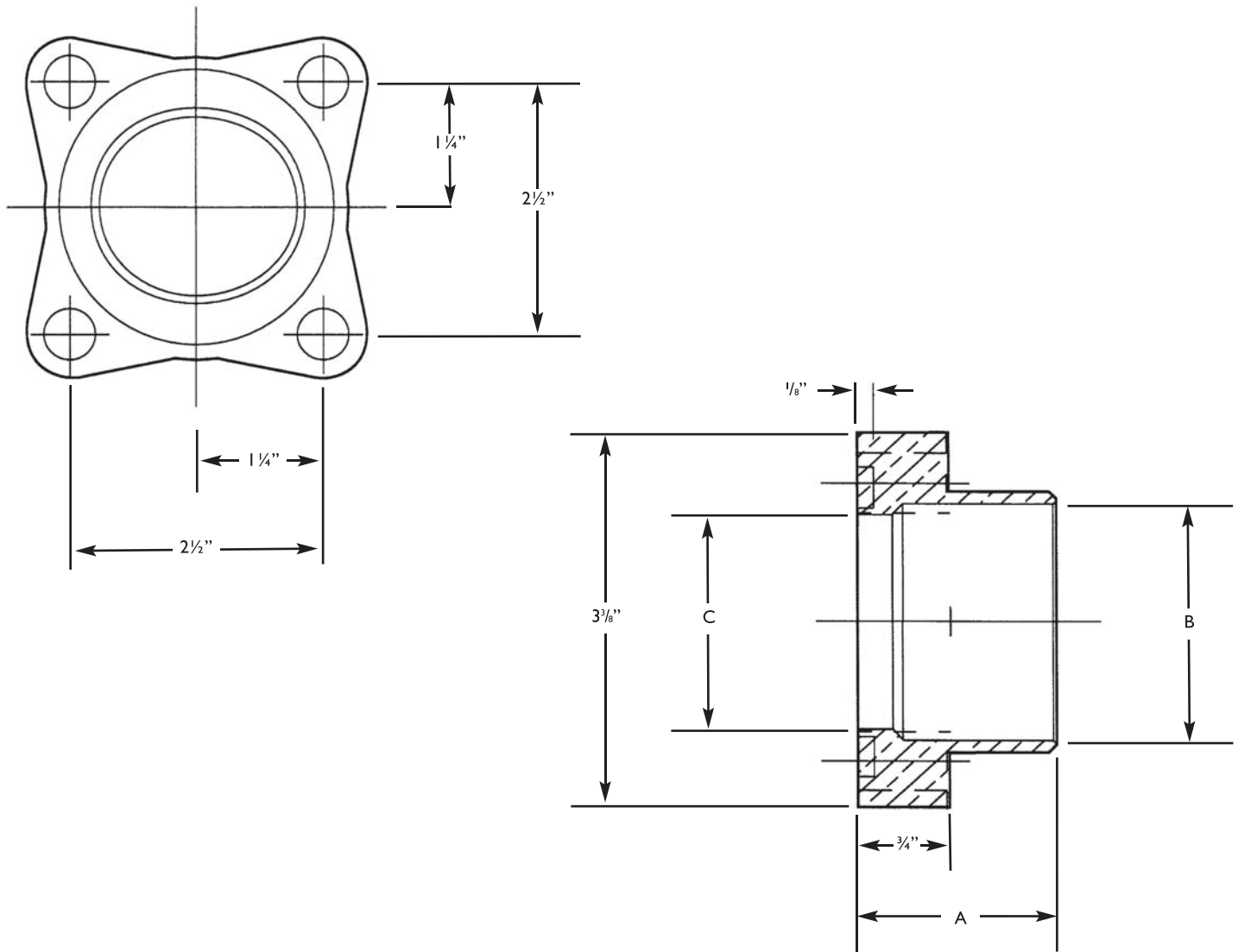


| ACME PART NO.       | SIZE               |                  |                    | DIA OF BOLT HOLES | WT./EA. |
|---------------------|--------------------|------------------|--------------------|-------------------|---------|
|                     | A                  | TUBE O.D.<br>B   | C                  |                   |         |
| ASK-40-0148         | $1\frac{3}{4}$ "   | $1\frac{1}{8}$ " | $1\frac{1}{16}$ "  | $\frac{17}{32}$   | 2.06    |
| ASK-40-0152         | $1\frac{29}{32}$ " | $1\frac{5}{8}$ " | $1\frac{17}{32}$ " | $\frac{17}{32}$   | 1.94    |
| ASK-40-0156         | $1\frac{7}{8}$ "   | $2\frac{1}{8}$ " | $1\frac{15}{16}$ " | $\frac{17}{32}$   | 1.63    |
| <b>BLIND FLANGE</b> |                    |                  |                    |                   |         |
| ASK-40-0150         | $1\frac{7}{8}$ "   | -                | -                  | $\frac{17}{32}$   | 4.00    |

\*Flange size can be mixed to create a reducing union.

# FORGED BRASS FLANGES 4-BOLT SOLDER TYPE WITH GROOVE

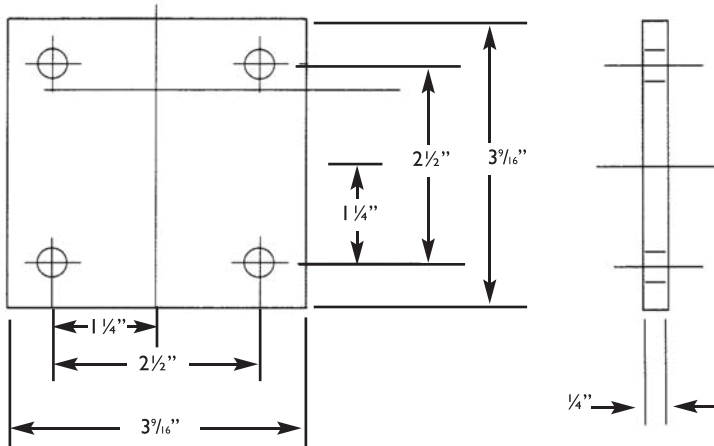
4-Bolt Hole Forged Flanges - with Groove  
Groove Diameters:  $2\frac{25}{32}$ " x  $2\frac{1}{16}$ "



| ACME PART NO.       | SIZE               |                  |                   | DIA OF BOLT HOLES | WT/EA |
|---------------------|--------------------|------------------|-------------------|-------------------|-------|
|                     | A                  | TUBE O.D.<br>B   | C                 |                   |       |
| ASK-40-0149         | $1\frac{9}{16}$ "  | $1\frac{1}{8}$ " | $1\frac{1}{16}$ " | $\frac{17}{32}$   | 2.06  |
| ASK-40-0153         | $1\frac{3}{4}$ "   | $1\frac{5}{8}$ " | $1\frac{7}{32}$ " | $\frac{17}{32}$   | 1.94  |
| ASK-40-0157         | $1\frac{23}{32}$ " | $2\frac{1}{8}$ " | $1\frac{5}{16}$ " | $\frac{17}{32}$   | 1.63  |
| <b>BLIND FLANGE</b> |                    |                  |                   |                   |       |
| ASK-40-0151         | $1\frac{23}{32}$ " | —                | —                 | $\frac{17}{32}$   | 4.00  |

\*Flange size can be mixed to create a reducing union.

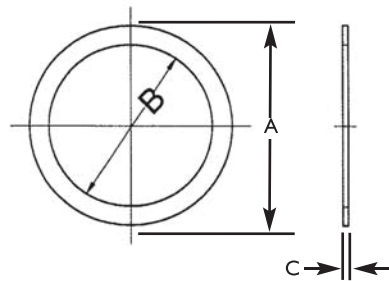
## 4-BOLT HOLE ALUMINUM SHIPPING PLATE



| ACME PART NO. | DIA. OF BOLT HOLES | WT/EA |
|---------------|--------------------|-------|
| ASK-40-0165   | 17/32              | .311  |

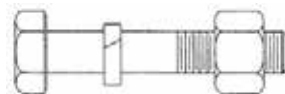
\* Not for use in pressurized service. For pressure applications use proper mating blind flanges as described above and proper gasket material as described below per service chart.

## GASKETS



| ACME PART NO. | A      | B       | C    | MATERIAL                |
|---------------|--------|---------|------|-------------------------|
| ASK-40-0160   | 2 3/4" | 2 3/16" | .063 | 25% glass filled Teflon |
| ASK-40-0162   | 2 3/4" | 2 3/16" | .063 | Klingsil C-4401         |
| 288-819182    | 2 3/4" | 2 3/16" | .063 | Gylon                   |

## HARDWARE (SUITABLE FOR CRYOGENIC APPLICATIONS)



| ACME PART NO. | DESCRIPTION                             | MATERIAL                   |
|---------------|---|----------------------------|
| ASK-40-0167   | Bolt, Hex, Hd. 1/2" - 13UNC x 2 1/2" lg | ASTM A-320 Gr B8; 304 S.S. |
| ASK-40-0168   | Nut, Hex, 1/2" - 13UNC                  | ASTM A-194 Gr 8T; 321 S.S. |
| ASK-40-0169   | Washer, Lock, 1/2" medium spring        | 304 S.S.                   |
| ASK-40-0170   | Bolting Kit, (4) per kit, (as shown)    | Bolting Kit (as shown)     |